

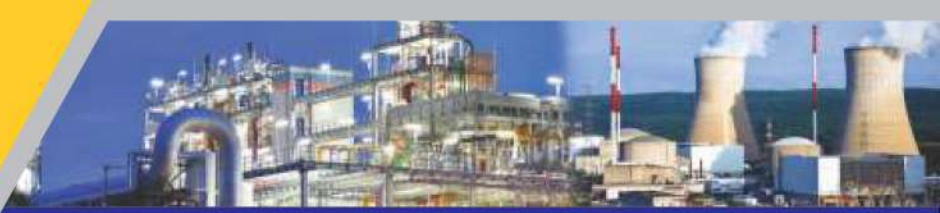


NOVEL

VALVES INDIA PVT. LTD

An ISO 9001-2015 Certified Company





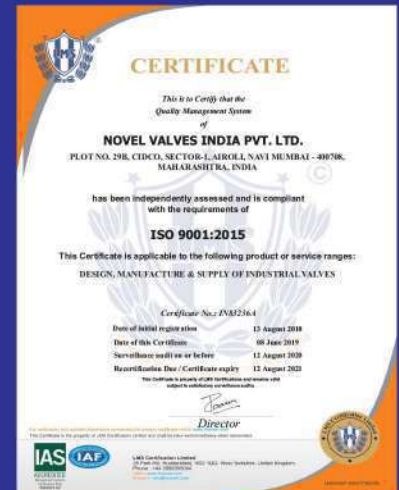
Company Profile:

We “Novel Valves India PVT LTD” as manufacturer of Industrial Valves with an experience exclusively in Valve technology (Design & Production) for more than two decades driven by ability to provide innovative & sustainable solutions to flow technology.

Qualified professional & experienced Engineers are part of our team to provide the industry with High Quality & Cost Effective products along with best suitable engineering solutions & support to our esteemed clients. We believe in continuous improvements & product innovation to keep ourselves competent.

Industries we are supplying:

- Oil & Gas
- Chemical & Petrochemicals
- Water Treatment
- Power Engineering & Nuclear Power etc





Our Expertise

- Center Disc Butterfly Valve
- Double Offset Butterfly Valve
- Triple Offset Butterfly Valve

End Types

- Wafer
- Lug
- Flanged



Center Disc Butterfly Valves

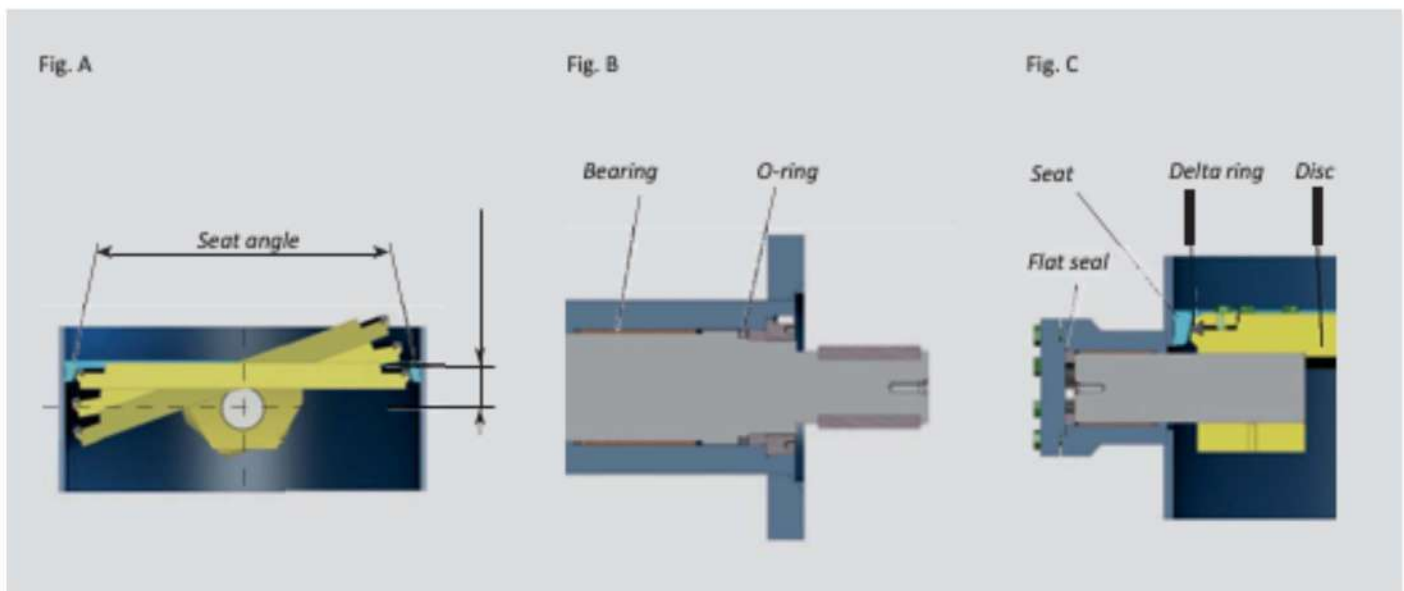
Applications :

Center disc butterfly valves are industrial valves, which are designed to fully open or close a passage of the working medium flowing through a pipeline. They can also be used for flow-control purposes. However, a 100% tightness of the valve cannot be guaranteed in a long-term use for control purposes



Working Medium :

- Waste and service water
- Drinking water
- Hot water steam
- Non-aggressive liquids and gases
(natural gas, CO-gas, petroleum products, etc.)



Operations :

- Manual Gear-Bos
- Electric Actuator
- Lever Operated
- Handwheel Operated
- Hydraulic Cylinder



Double Offset Butterfly Valves

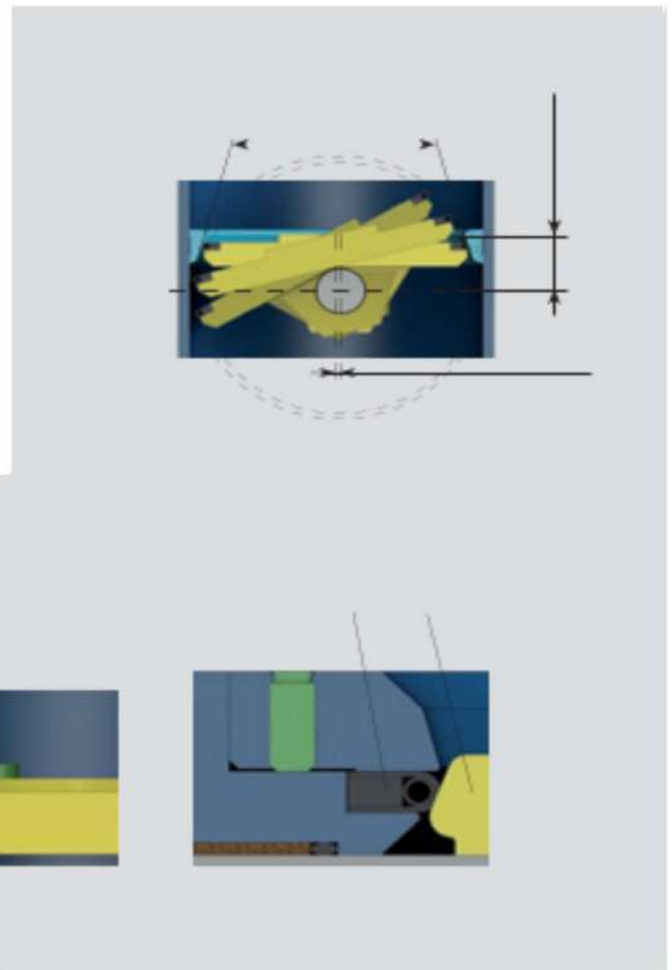
Applications :

Double-offset butterfly valves are industrial valves, which are designed to fully open or close the passage of the working medium flowing through a pipeline. They can also be used for flow-control purposes. However, a 100% tightness of the valve cannot be guaranteed in a long-term use for control purposes.



Working Medium :

- Waste and service water
- Drinking water
- Hot water steam
- Non-aggressive liquids and gases (natural gas, CO-gas, petroleum products, etc.)



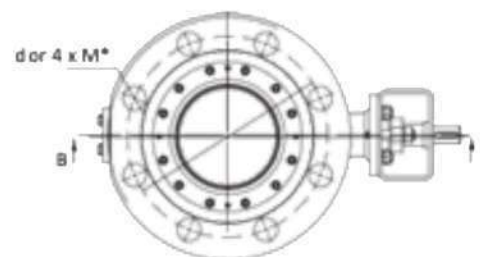
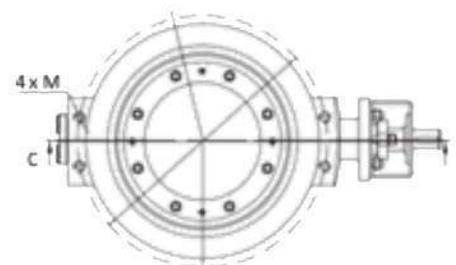
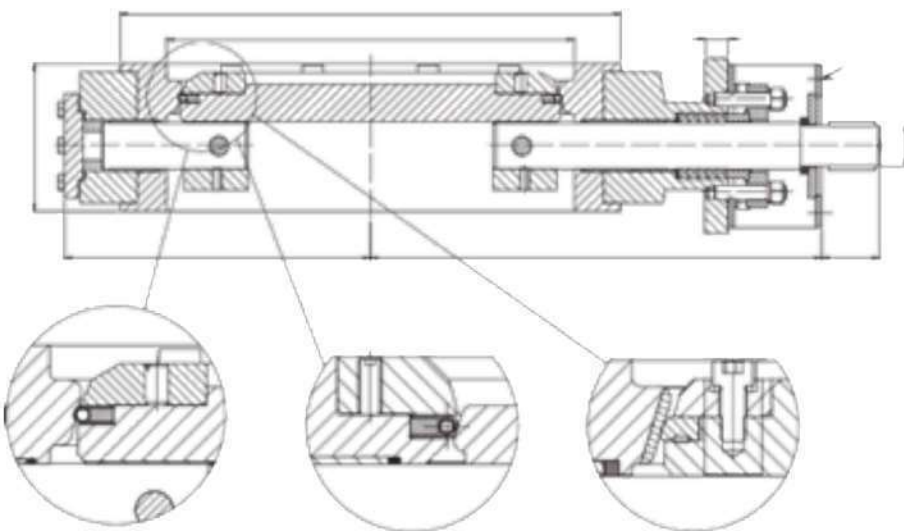
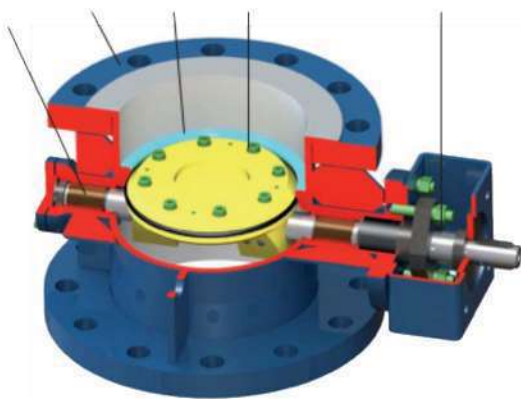
Operations :

- Manual Gear-Bos
- Electric Actuator
- Lever Operated
- Handwheel Operated
- Hydraulic Cylinder



Double Offset Butterfly Valves

The double-offset butterfly valve is a valve that has 2 counterbalance contrasts and the concentric butterfly valve. The principal balance is the pole that is spotted not in the middle of the plate yet found on somewhat behind the circle. This balance will make the valve has a nonstop fixing surface on the circle. The second balance is the pole that placed not in the funnel fixates line yet found on somewhat in the right half of the focal point. This counterbalance will make the valve didn't touch the seat at all when it is completely opens (see delineation beneath). This plan will make the seat encounter a less grating than the concentric sort butterfly valve and accordingly will delay its lifetime.

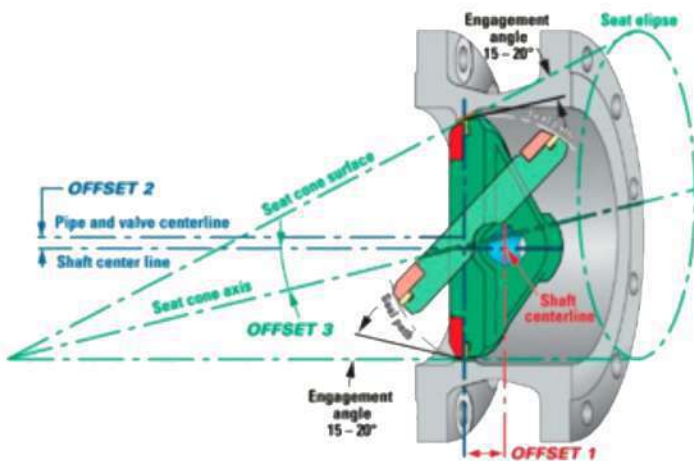




Triple Offset Butterfly Valves

There are three offsets, two are placed in a similar position to the double offset butterfly valve, while the third offset is the geometry of the seating surface, creating a type of cone shape of the disc and seat. This cone angle along with the two eccentric shaft offsets allows the disc to seal against the seat without any friction.

- This seat design also allows for uniform sealing, and thus a tight shutoff in a metal seat design lower torque option (easier to automate), than alternative style metal seated valves.
- Triple offsets are generally used in applications similar to gate valves, where a metal seat is required, and tight shutoff and/or quarter turn actuation is desired. Applications like high pressure steam superheated- steam, high temperature gases and oils, high temperature applications are good for this type of valve because a metal seat is required over a soft seat.





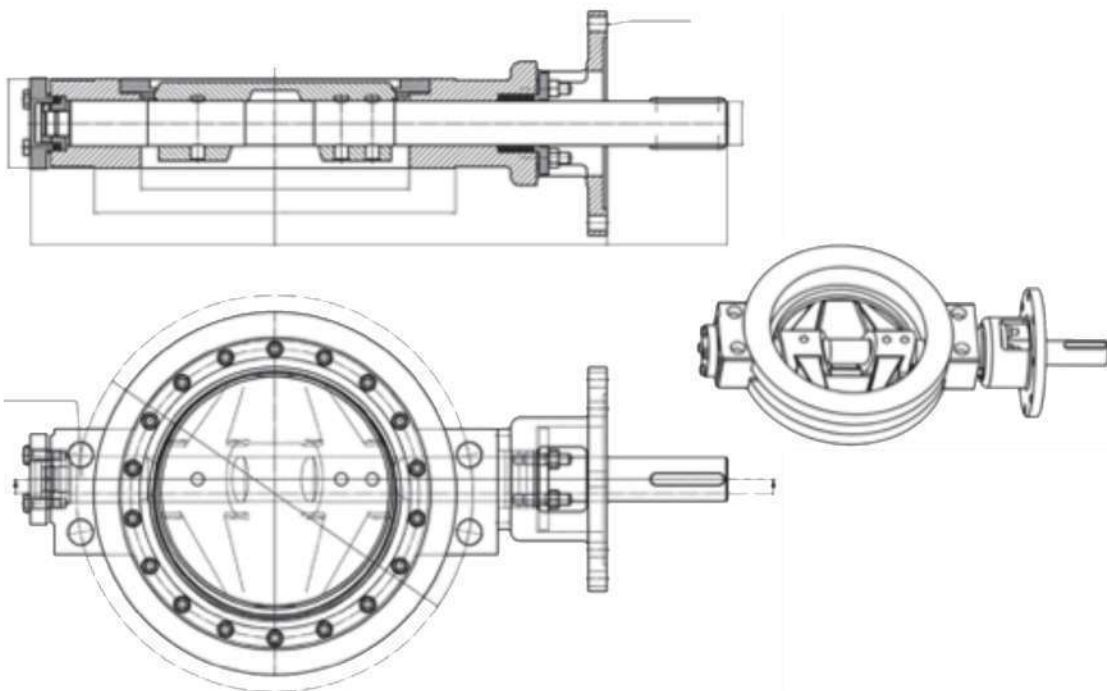
Triple Offset Butterfly Valves

Applications :

- A Butterfly valve is used in many different fluid services and they perform well in slurry applications also. They can be used in liquids, steam, cryogenics, cooling water, air, gasses, firefighting & Vacuum services.
- Butterfly Valve is used in all type of industries application even in High-pressure and temperature services

Advantages :

- Butterfly Valve is suitable for large valve applications due to Compact, lightweight design that requires considerably less space, as compared to other valves
- Due to a quick operation, it needs less time to open or close
- The maintenance costs are usually low compared to other valve types
- Valve with Non-metallic seating can be used in chemical or corrosive media

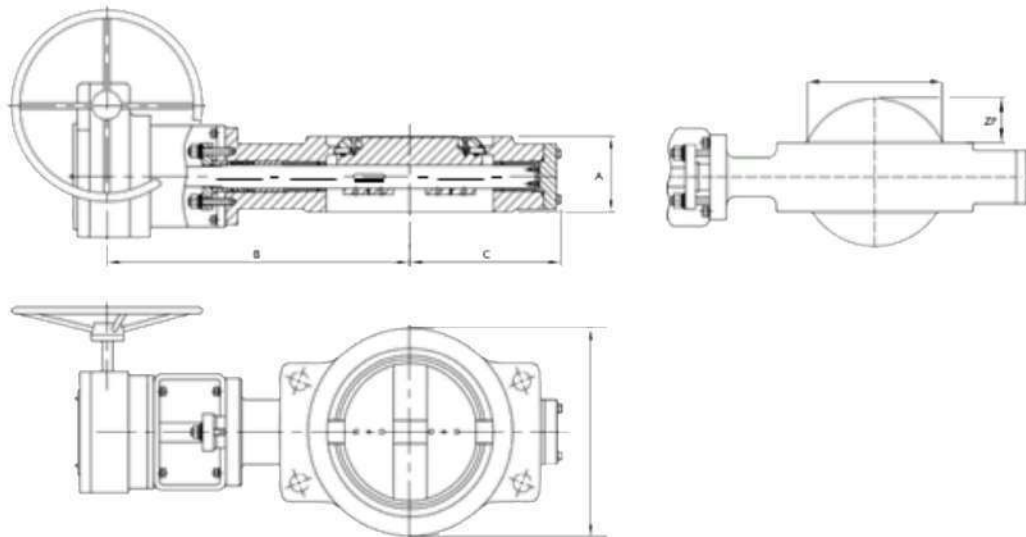




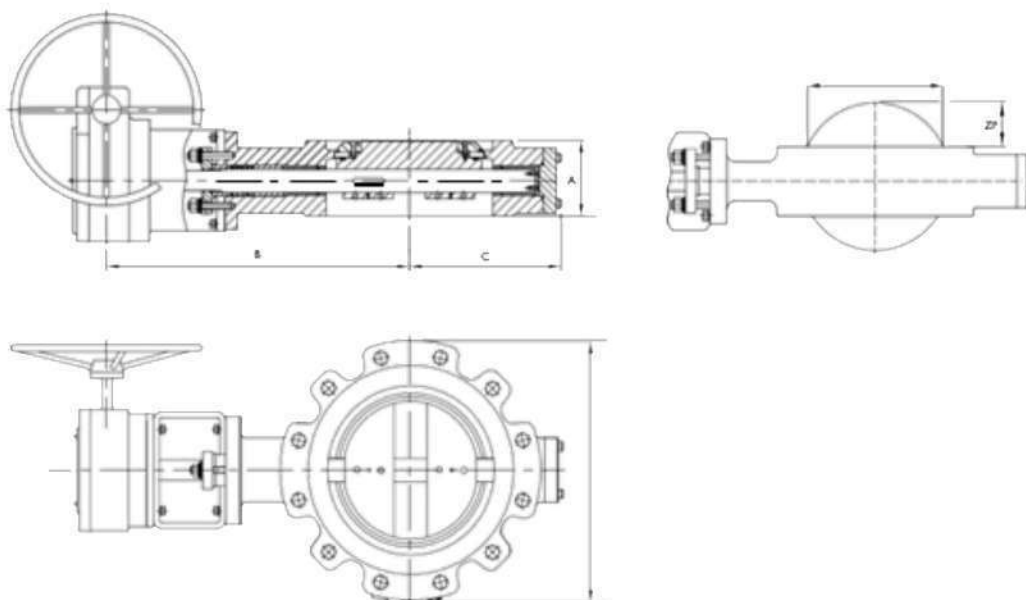
Triple Offset Butterfly Valves

Face-to-face dimensions of Triple-offset Butterfly Valves in Wafer Flangeless and Wafer Lugged constructions conform to API 609. The valves are compact in design and significantly lighter than comparable gate valves

Wafer Type :



Lug Type :





ASME 150# Dimentions (MM)

SIZE		A	L	E	K	PCD		N		H	
INCH	MM					No Of Holes		Hole Dia			
						150 #	PN - 10	150 #	PN - 10	150 #	PN - 10
2"	50	97	43	125	39.8	120.7	125	4	4	16	18
2 ½"	65	105	46	146	50.6	139.7	145	4	4	19	18
3"	80	139	48	150	68.4	152.4	160	4	8	19	18
4"	100	170	54	172	90.3	190.5	180	8	8	19	18
5"	125	186	57	188	110.8	215.9	210	8	8	19	18
6"	150	216	57	209	138.7	214.3	240	8	8	22	22
8"	200	269	64	240	183.2	298.5	295	8	8	22	22
10"	250	324	71	272	232.6	362.0	350	12	12	22	22
12"	300	381	81	310	277.7	431.8	400	12	12	25.4	22
14"	350	413	92	405	307	476.2	460	12	16	25.4	22
16"	400	470	102	456	354	539.7	515	16	16	28.4	26
18"	450	534	114	491	405	577.8	565	16	20	28.4	26
20"	500	584	127	536	466.3	635.0	620	20	20	32	26
24"	600	695	154	634	522.8	749.3	725	20	20	36	30
26"	650	715	165	720	605	806		24		35.1	
28"	700	805	165	725	660.5	864	840	28	24	35.1	30
30"	750	857	191	755	715	914.4		28		35.1	
32"	800	911	191	805	767	978	950	28	24	41.1	33
36"	900	1022	203	860	864.2	1086	1050	32	28	41.1	33
40"	1000	1130	217	970	890	1200	1160	36	28	41.1	36
44"	1100	1250	254	1020	1040	1314		40		41.1	
48"	1200	1360	254	1080	1118	1422	1380	44	32	41.1	39



Wafer & Lug ASME 300# Dimentions (MM)

SIZE		A	B	E	K	PCD	N	H
INCH	MM						No Of Holes	Hole Dia
						300 #		300 #
2"	50	97	43	125	39.8	127	8	18
2 ½"	65	105	46	146	50.6	149.2	8	22
3"	80	132	48	158	68.4	168.3	8	22
4"	100	172	54	172	90.3	200	8	22
5"	125	186	59	200	110.8	235	8	22
6"	150	216	59	220	138.7	269	12	22
8"	200	270	73	285	180.3	330.2	12	26
10"	250	326	83	300	228.6	387.4	16	28.6
12"	300	381	92	341	271.8	450.8	16	32
14"	350	413	117	457	307.3	514.4	20	32
16"	400	470	133	500	348.0	571.5	20	36
18"	450	545	149	550	396.2	628.6	24	36
20"	500	584	159	600	436.9	685.8	24	36
24"	600	692	692	700	523.2	812.8	24	42



Material of Construction :

Part Name	Material
Body	D.I. / S.G.I. / WCB / CF8 / CF8M / CF3 / CF3M / Duplex / Super Duplex
Disc	D.I. / S.G.I. / WCB / CF8 / CF8M / CF3 / CF3M / Duplex / Super Duplex
Seat	PTFE / RPTFE / GFT / CFT
Steam	S.S.410/S.S.304/S.S.316/ Duplex / Super Duplex
Bushing	PTFE / Carbon Filled PTFE
Seals	EPDM / Nitrile / Viton / PTFE

Seat Temperature Range :

Seat Type	Temperature Range	
	Min.	Max.
PTFE	-13° F (-25°C)	210° F (100°C)
RPTFE	-13° F (-25°C)	250° F (120°C)
GFT	-58° F (-50°C)	356° F (180°C)
CFT	-23° F (-5°C)	392° F (200°C)
PEEK	-4° F (-20°C)	250° F (120°C)

Testing Pressure :

SIZE	RATING	SHELL	SEAT
40MM TO 600MM	PN – 16	24	16
	PN – 10	17	10
	150 #	33	25
700MM TO 1200MM	PN – 10	10	17



Specifications of Butterfly Valves

- Valve Design : Wafer Type Butterfly Valves/ Lug Type Butterfly Valves/ High Performance Butterfly Valves /Seatless Butterfly Damper / Double Flanged Centric Disc Butterfly Valves / Double Flanged Valves
- Operations : Lever Operated / Gear Operated / Electrical / Pneumatic / Hydraulic Actuator
- Mounting Pad /Top Flange Drilling : As per ISO 5211 Part II

Manufacturing Standards

- Face to Face** - BS 5155 / API 609 / IS 13095 (Wafer Short)
- End Connection** - Wafer Type / Lug Type / Flanged End to suit ANSI / DIN / BS / JIS / IS
- Testing Standard** - BS 5155 / BS 6755 (Part I) / API 598 / IS 13095



NOVEL
VALVES INDIA PVT. LTD

An ISO 9001 - 2015 Certified Company

• Registered Office & Works - 1 •

Plot no. 29 B, CIDCO,
Sector - 1, Airoli,
Navi Mumbai - 400708,

• Thane, Works - 2 •

A - 1/5, Kothari Industrial Estate,
5 Acres, Manpada,
S V Road, Thane, India - 400 607

• Delhi Office •

LGF-12, Charmwood Plaza,
Surajkund Road,
Eros Garden Charmwood,
Faridabad, Haryana - 121009

Web: www.novelvalves.com

Call : 022-277-977-22/23 Email: sales@novelvalves.com