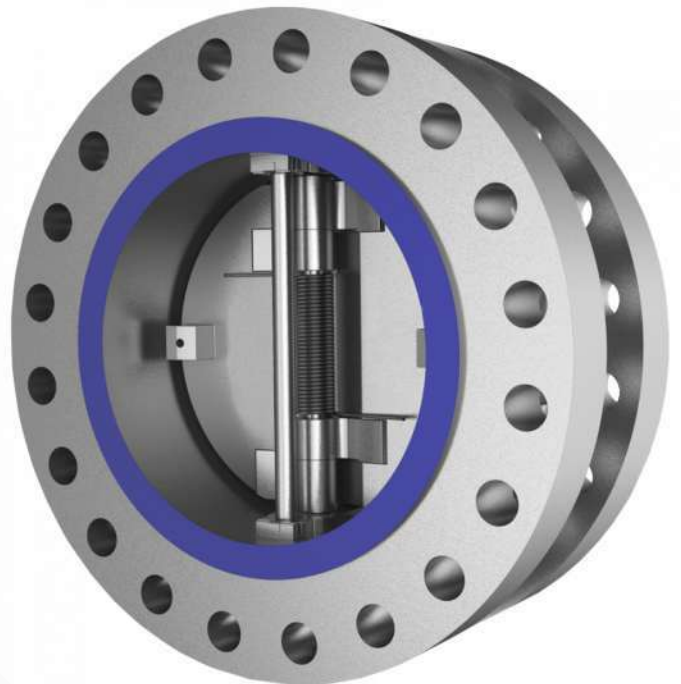




NOVEL

VALVES INDIA PVT. LTD

An ISO 9001-2015 Certified Company





Preface

An ISO 9001-2015 company, promoted by the technocrats having experience of over two decade in Valves technology. The company is engaged in Design, Development, Manufacturing and supply of quality Industrial Valves. The company has the expertise and facilities to meet growing demand of process and other allied industries for standard and customized valves for wide range of applications.

Our wide range of products comprises of Cast Steel, Stainless Steel & Alloy Steel Ball Valves (Metal to Metal Seated & Soft Seated), Double Block & Bleed Ball Valves, Gate, Globe & Check Valves (High Pressure & Pressure Seal Type), Butterfly Valves (Metal Seated, Soft Seated and Triple Offset Design) Dual Plate & Single Plate Check Valves, Control Gate Valves, Control Butterfly Valves, Bellow seal Gate & Globe Valve, Diaphragm, Sluice & Safety valves as per client's specific requirements in size ranging from ½" to 36" & pressure rating from 150# to 2500#. The Valves can be supplied with Electric Actuator , Pneumatic Actuator and Gear operations.

Qualified professional & experienced engineers are part of our team to provide the industry with **High Quality & Cost Effective** products along with best suitable engineering solutions & support to our esteemed clients. We believe in continuous improvements & product innovation to keep ourselves competent.

The company through creativity & innovations is ultimately projecting itself to the forefront of today's Oil & Gas, Petrochemicals, Power, Fertilizer, Chemicals & other allied industries. Extensive technical knowledge of our professionals backed by sound manufacturing capabilities enable us to provide one – stop solutions for all types of Industrial Valves.

The Company adheres to the applicable international standards of manufacturing and testing. We look forward to working with new customer to solve their unique piping needs as they fit in our range of products. We kindly request you to give us opportunity to serve you in best possible way and to prove our commitment in solving your problems and add value to your process applications.



Pravin Nimkar
Director





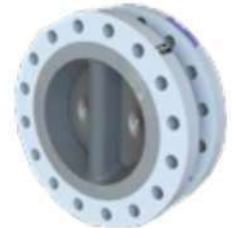
Dual Plate Check Valves

Types

1. Wafer
(Type - BR)



2. Flanged
(Type - BFR)



3. Solid Lug
(Type - BSR)



4. Buttweld End
(Type - BWR)



Sizes : 2" to 36" (50mm to 900 mm)

Class : ASME 150 to 2500
API 2000 to 20000
PN 10 to PN 400
JIS 10K & 20K

Materials : Ductile Iron
Carbon Steel
Stainless Steel
Duplex Stainless Steel
Aluminium Bronze
High Nickel Alloys

Features

- Designed, manufactured, assembled and tested in accordance with Quality Assurance System accredited by BSI to BS EN ISO 9001.
- Designed and tested to API 594 / API 6D
- Firesafe Design
- All bodies and plates certified to BS EN 10204 3.1 as a minimum.
- Retainerless design as standard. No screwed body plugs - no leakpath to atmosphere - no fugitive emissions.



Wafer | Type BR

Wafer design clamped between flanges with bolting around outside of valve.

Permits installation in a piping system in same manner as any conventional wafer valve

Retainerless

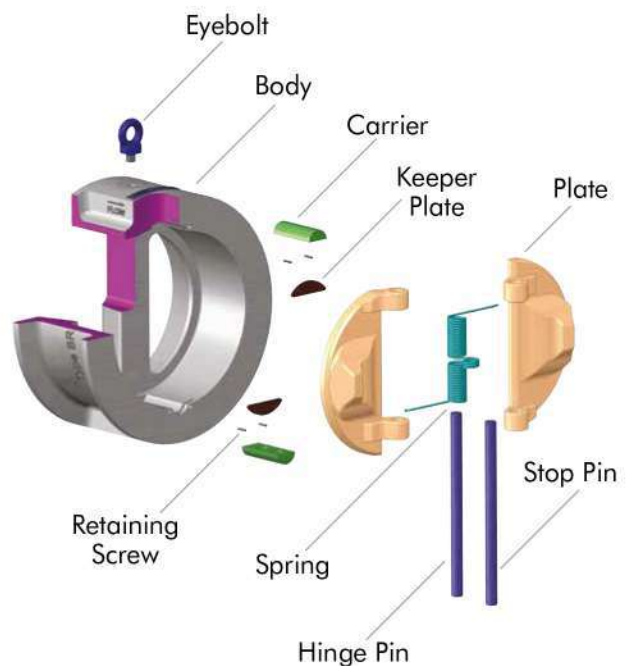
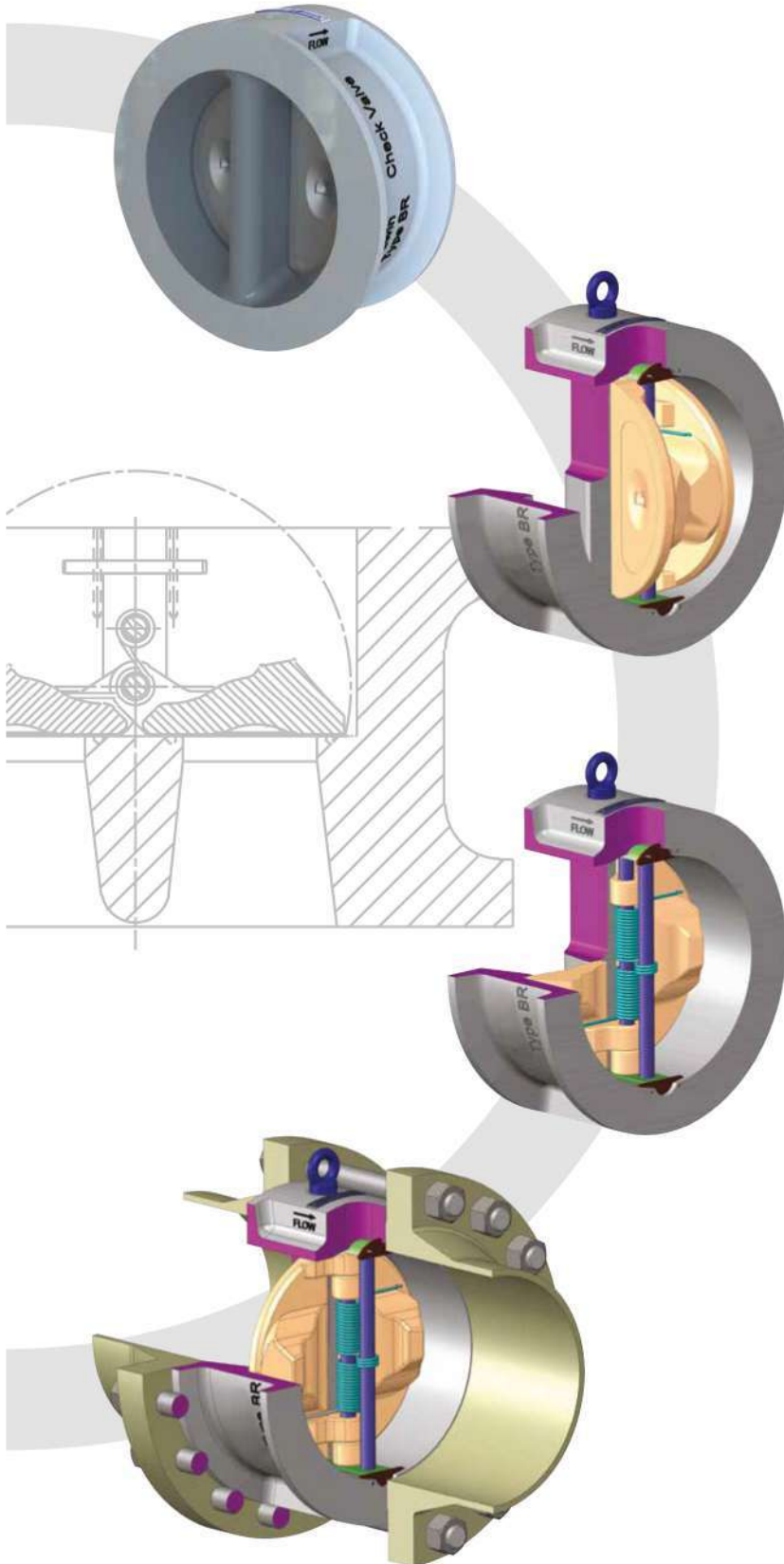
- Retainerless is standard in Novel Check Valves

API 594

- Designed in accordance with API 594 / API 6D
- Face-to-face dimensions to API 594

Unique Plate Design

- Pressure sensitive plate
- Improved flow efficiencies
- Total Life Cycle Costs reduced
- Superior metal-to-metal sealing
- High degree of shut-off

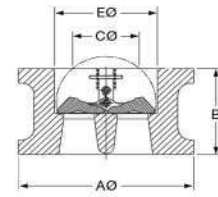




Type BR

Installation Dimensions

ASME B16.5



Size inches	Pressure Rating ASME	End Facing	A	B	C	E	HOLE P.C.D. mm	HOLE DIA. mm	STUD SELECTION			† Valve Weight kg
			mm	mm	mm	mm			No.	DIA. inches	*Length mm	
2 (50mm)	150	RF	105	60	0	57	120.7	19.1	4	5/8	165	3
	300	RF	111	60	0	57	127.0	19.1	8	5/8	170	4
	600	RF/RJ-23	111	60	0	57	127.0	19.1	8	5/8	195	4
	900	RF/RJ-24	143	70	0	57	165.1	25.4	8	7/8	240	7
	1500	RF/RJ-24	143	70	0	57	165.1	25.4	8	7/8	240	7
	2500	RF/RJ-26	146	70	0	57	171.4	28.6	8	1	275	8
3 (80mm)	150	RF	137	73	51	87	152.4	19.1	4	5/8	185	6
	300	RF	149	73	51	87	168.3	22.2	8	3/4	205	8
	600	RF/RJ-31	149	73	51	87	168.3	22.2	8	3/4	230	8
	900	RF/RJ-31	168	83	60	87	190.5	25.4	8	7/8	255	13
	1500	RF/RJ-35	175	83	60	87	203.2	31.8	8	1 1/8	285	13
	2500	RF/RJ-32	197	86	60	87	228.6	34.9	8	1 1/4	335	16
4 (100mm)	150	RF	175	73	89	113	190.5	19.1	8	5/8	185	9
	300	RF	181	73	89	113	200.0	22.2	8	3/4	210	9
	600	RF/RJ-37	194	79	89	113	215.9	25.4	8	7/8	255	13
	900	RF/RJ-37	206	102	83	113	235.0	31.8	8	1 1/8	300	20
	1500	RF/RJ-39	210	102	83	113	241.3	34.9	8	1 1/4	325	21
	2500	RF/RJ-38	235	105	83	113	273.0	41.3	8	1 1/2	395	25
6 (150mm)	150	RF	222	98	140	166	241.3	22.2	8	3/4	220	18
	300	RF	251	98	140	166	269.9	22.2	12	3/4	245	21
	600	RF/RJ-45	267	137	89	166	292.1	28.6	12	1	340	38
	900	RF/RJ-45	289	159	89	166	317.5	31.8	12	1 1/8	380	64
	1500	RF/RJ-46	283	159	89	166	317.5	38.1	12	1 3/8	455	60
	2500	RF/RJ-47	318	159	89	166	368.3	54.0	8	2	540	70
8 (200mm)	150	RF	279	127	171	207	298.5	22.2	8	3/4	255	25
	300	RF	308	127	171	207	330.2	25.4	12	7/8	290	40
	600	RF/RJ-49	321	165	168	207	349.2	31.8	12	1 1/8	385	71
	900	RF/RJ-49	359	206	130	207	393.7	38.1	12	1 3/8	455	100
	1500	RF/RJ-50	352	206	130	207	393.7	44.5	12	1 5/8	530	120
	2500	RF/RJ-51	387	206	143	207	438.2	54.0	12	2	630	137
10 (250mm)	150	RF	340	146	235	260	362.0	25.4	12	7/8	285	56
	300	RF	362	146	235	260	387.4	28.6	16	1	325	63
	600	RF/RJ-53	400	213	200	260	431.8	34.9	16	1 1/4	460	118
	900	RF/RJ-53	435	241	195	260	469.9	38.1	16	1 3/8	505	196
	1500	RF/RJ-54	435	248	184	260	482.6	50.8	12	1 7/8	620	182
	2500	RF/RJ-55	476	254	191	260	539.8	66.7	12	2 1/2	790	235
12 (300mm)	150	RF	410	181	260	300	431.8	25.4	12	7/8	325	107
	300	RF	422	181	260	300	450.8	31.8	16	1 1/8	375	112
	600	RF/RJ-57	457	229	232	300	489.0	34.9	20	1 1/4	480	192
	900	RF/RJ-57	498	292	206	300	533.4	38.1	20	1 3/8	575	293
	1500	RF/RJ-58	521	305	210	300	571.5	54.0	16	2	720	392
	2500	RF/RJ-60	549	305	225	300	619.1	73.0	12	2 3/4	895	451

* Where Ring Joint Facing shown in End Facing, Stud lengths based on Ring Joint flange connection.

† Weights are for valve only and exclude mating flanges and bolting. Weight will vary according to corrosion allowance specification.

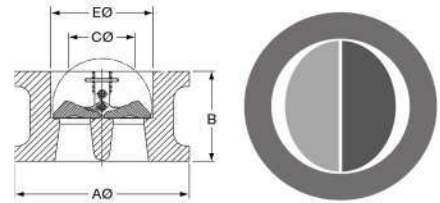
Eyebolt(s) are supplied for valves over 20kg



Type BR

Installation Dimensions

ASME B16.5



Size inches	Pressure Rating ASME	End Facing	A	B	C	E	HOLE P.C.D. mm	HOLE DIA. mm	STUD SELECTION			† Valve Weight kg
			mm	mm	mm	mm			No.	DIA. inches	*Length mm	
14 (350mm)	150	RF	451	184	286	339	476.3	28.6	12	1	340	102
	300	RF	486	222	286	339	514.4	31.8	20	1 1/8	420	176
	600	RF/RJ-61	492	273	232	339	527.0	38.1	20	1 3/8	535	207
	900	RF/RJ-62	521	356	0	339	558.8	41.3	20	1 1/2	660	396
	1500	RF/RJ-63	578	356	0	339	635.0	60.3	16	2 1/4	810	484
16 (400mm)	150	RF	514	191	332	387	539.8	28.6	16	1	350	131
	300	RF	540	232	330	387	571.5	34.9	20	1 1/4	445	183
	600	RF/RJ-65	565	305	330	387	603.2	41.3	20	1 1/2	590	325
	900	RF/RJ-66	575	384	162	387	616.0	44.5	20	1 5/8	705	421
	1500	RF/RJ-67	641	384	162	387	704.8	66.7	16	2 1/2	885	587
18 (450mm)	150	RF	549	203	395	438	577.9	31.8	16	1 1/8	375	163
	300	RF	597	264	391	438	628.6	34.9	24	1 1/4	485	260
	600	RF/RJ-69	613	362	330	438	654.0	44.5	20	1 5/8	665	447
	900	RF/RJ-70	638	451	244	438	685.8	50.8	20	1 7/8	815	620
	1500	RF/RJ-71	705	468	184	438	774.7	73.0	16	2 3/4	1010	791
20 (500mm)	150	RF	606	219	438	487	635.0	31.8	20	1 1/8	400	205
	300	RF	654	292	438	487	685.8	34.9	24	1 1/4	520	331
	600	RF/RJ-73	683	368	432	487	723.9	44.5	24	1 5/8	685	528
	900	RF/RJ-74	699	451	406	487	749.3	54.0	20	2	835	758
	1500	RF/RJ-75	756	533	210	487	831.8	79.4	16	3	1125	1275
24 (600mm)	150	RF	718	222	537	579	749.3	34.9	20	1 1/4	420	282
	300	RF	775	318	524	579	812.8	41.3	24	1 1/2	570	487
	600	RF/RJ-77	791	438	510	579	838.2	50.8	24	1 7/8	800	817
	900	RF/RJ-78	838	495	445	579	901.7	66.7	20	2 1/2	975	1156
	1500	RF/RJ-79	902	559	391	579	990.6	92.1	16	3 1/2	1235	2713

* Where Ring Joint Facing shown in End Facing, Stud lengths based on Ring Joint flange connection.

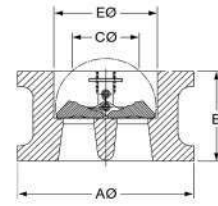
† Weights are for valve only and exclude mating flanges and bolting. Weight will vary according to corrosion allowance specification.



Type BR

Installation Dimensions

ASME B16.47 SERIES A (MSS SP44)



Size inches	Pressure Rating ASME	End Facing	A	B	C	E	HOLE P.C.D. mm	HOLE DIA. mm	STUD SELECTION			† Valve Weight kg
			mm	mm	mm	mm			No.	DIA. inches	*Length mm	
26 (650mm)	150	RF	775	356	597	629	806.5	34.9	24	1 1/4	605	416
	300	RF	835	356	597	629	876.3	44.5	28	1 5/8	650	587
	600	RF/RJ-93	867	457	578	629	914.4	50.8	28	1 7/8	850	1118
	900	RF/RJ-100	883	533	559	629	952.5	73.0	20	2 3/4	1045	1182
28 (700mm)	150	RF	832	381	648	680	863.6	34.9	28	1 1/4	635	599
	300	RF	899	381	648	680	939.8	44.5	28	1 5/8	685	751
	600	RF/RJ-94	914	483	629	680	965.2	54.0	28	2	890	871
	900	RF/RJ-101	946	572	610	680	1022.4	79.4	20	3	1100	1441
30 (750mm)	150	RF	883	305	641	735	914.4	34.9	28	1 1/4	565	450
	300	RF	953	368	641	735	997.0	47.6	28	1 3/4	685	729
	600	RF/RJ-95	972	505	584	735	1022.4	54.0	28	2	920	1850
	900	RF/RJ-102	1010	635	584	735	1085.9	79.4	20	3	1180	2132
32 (800mm)	150	RF	940	356	641	784	977.9	41.3	28	1 1/2	645	707
	300	RF	1006	406	641	784	1054.1	50.8	28	1 7/8	750	1635
	600	RF/RJ-96	1022	533	610	784	1079.5	60.3	28	2 1/4	970	1743
	900	RF/RJ-103	1073	660	610	784	1155.7	85.7	20	3 1/4	1235	2034
36 (900mm)	150	RF	1048	368	648	865	1085.9	41.3	32	1 1/2	675	865
	300	RF	1118	483	648	865	1168.4	54.0	32	2	845	1269
	600	RF/RJ-98	1130	635	527	865	1193.8	66.7	28	2 1/2	1095	2120
	900	RF/RJ-105	1200	718	356	865	1289.1	92.1	20	3 1/2	1335	3259

* Where Ring Joint Facing shown in End Facing, Stud lengths based on Ring Joint flange connection.

† Weights are for valve only and exclude mating flanges and bolting. Weight will vary according to corrosion allowance specification.

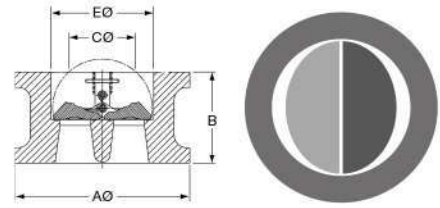
Eyebolt(s) are supplied for valves over 20kg



Type BR

Installation Dimensions

ASME B16.47 SERIES B (API 605)



Size inches	Pressure Rating ASME	End Facing	A	B	C	E	HOLE P.C.D. mm	HOLE DIA. mm	STUD SELECTION			† Valve Weight kg
			mm	mm	mm	mm			No.	DIA. inches	*Length mm	
26 (650mm)	150	RF	725	356	597	629	744.5	22.2	36	3/4	525	395
	300	RF	771	356	597	629	803.3	34.9	32	1 1/4	650	698
	600	RF/RJ-93	765	457	578	629	806.5	44.5	28	1 5/8	850	800
	900	RF/RJ-100	838	533	559	629	901.7	66.7	20	2 1/2	1025	1123
28 (700mm)	150	RF	776	381	648	680	795.3	22.2	40	3/4	555	517
	300	RF	826	381	648	680	857.3	34.9	36	1 1/4	675	696
	600	RF/RJ-94	819	483	629	680	863.6	47.6	28	1 3/4	895	827
	900	RF/RJ-101	902	572	610	680	971.6	73.0	20	3	1110	1369
30 (750mm)	150	RF	827	305	641	735	846.1	22.2	44	3/4	480	629
	300	RF	886	368	641	735	920.8	38.1	36	1 3/8	675	904
	600	RF/RJ-95	880	505	584	735	927.1	50.8	28	1 7/8	935	1499
	900	RF/RJ-102	959	635	584	735	1035.1	79.4	20	3	1185	2025
32 (800mm)	150	RF	881	356	641	784	900.2	22.2	48	3/4	530	672
	300	RF	940	406	641	784	977.9	41.3	32	1 1/2	740	1553
	600	RF/RJ-96	933	533	610	784	984.3	54.0	28	2	985	1656
	900	RF/RJ-103	1016	660	610	784	1092.2	79.4	20	3 1/4	1230	1932
36 (900mm)	150	RF	987	368	648	865	1009.7	25.4	44	7/8	565	648
	300	RF	1048	483	648	865	1089.0	44.5	32	1 5/8	840	1206
	600	RF/RJ-98	1048	635	527	865	1104.9	60.3	28	2 1/4	1135	2014
	900	RF/RJ-105	1124	718	356	865	1200.2	79.4	24	3	1310	3096

* Where Ring Joint Facing shown in End Facing, Stud lengths based on Ring Joint flange connection.

† Weights are for valve only and exclude mating flanges and bolting. Weight will vary according to corrosion allowance specification.



Flanged | Type BFR

Double flanged design permits installation in a piping system in same manner as any conventional double flanged valve, i.e. studs and nuts per flange.

Retainerless

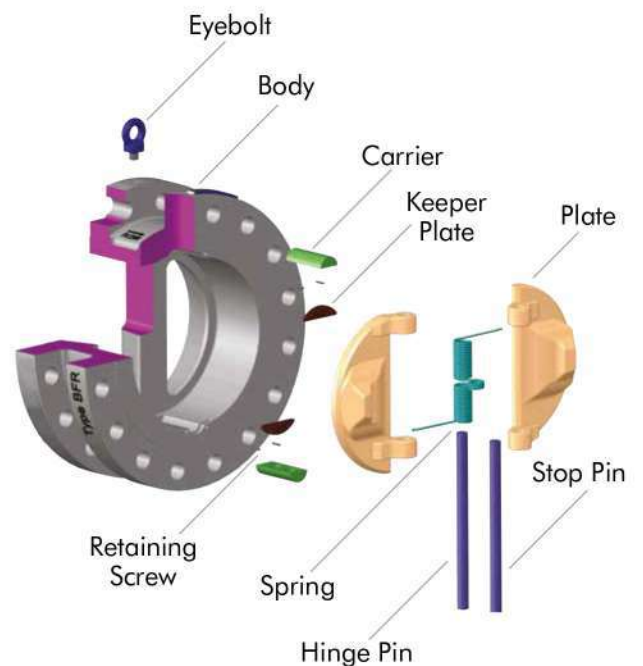
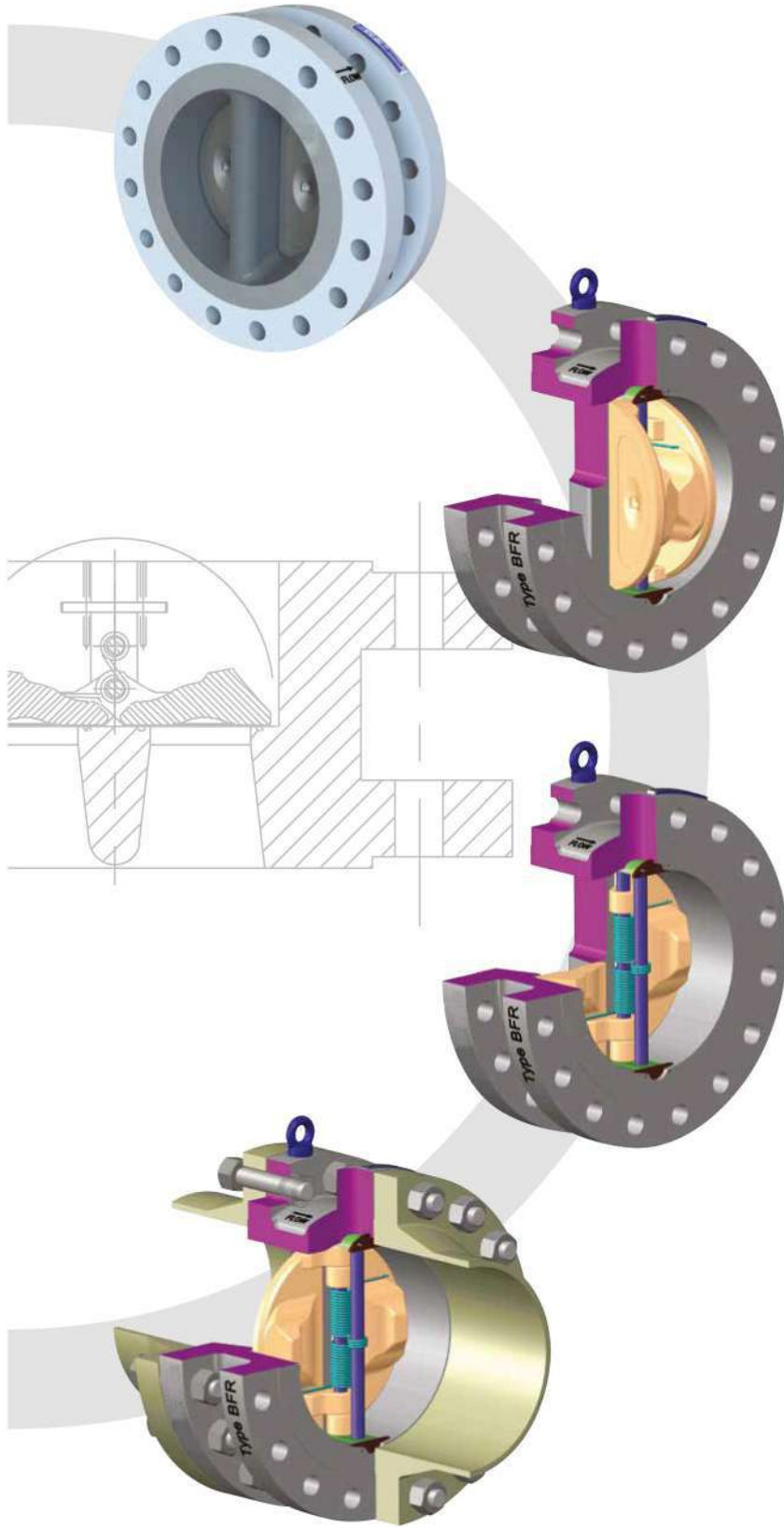
- Retainerless is standard in Novel Check Valves

API 594

- Designed in accordance with API 594 / API 6D
- Face-to-face dimensions to API 594

Unique Plate Design

- Pressure sensitive plate
- Improved flow efficiencies
- Total Life Cycle Costs reduced
- Superior metal-to-metal sealing
- High degree of shut-off

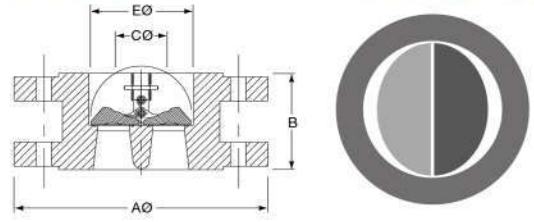




Type BFR

Installation Dimensions

ASME B16.5



Size inches	Pressure Rating ASME	End Facing	A	B	C	E	HOLE P.C.D. mm	HOLE DIA. mm	STUD SELECTION			† Valve Weight kg
			mm	mm	mm	mm			No. §	DIA. inches	*Length mm	
8 (200mm)	150	RF	343	127	171	207	298.5	22.2	8	3/4	140	49
	600	RF/RJ-53	508	213	200	260	431.8	34.9	16	1 1/4	245	183
10 (250mm)	900	RF/RJ-53	546	241	195	260	469.9	38.1	16	1 3/8	265	203
	150	RF	483	181	260	300	431.8	25.4	12	7/8	150	115
	300	RF	521	181	260	300	450.8	31.8	16	1 1/8	205	153
	600	RF/RJ-57	559	229	232	300	489.0	34.9	20	1 1/4	255	230
12 (300mm)	900	RF/RJ-57	610	292	206	300	533.4	38.1	20	1 3/8	285	354
	150	RF	533	184	286	339	476.3	28.6	12	1	165	142
	300	RF	584	222	286	339	514.4	31.8	20	1 1/8	210	166
	600	RF/RJ-61	603	273	232	339	527.0	38.1	20	1 3/8	265	313
14 (350mm)	900	RF/RJ-62	641	356	0	339	558.8	41.3	20	1 1/2	310	463
	150	RF	597	191	332	387	539.8	28.6	16	1	170	176
	300	RF	648	232	330	387	571.5	34.9	20	1 1/4	220	301
	600	RF/RJ-65	686	305	330	387	603.2	41.3	20	1 1/2	285	426
16 (400mm)	900	RF/RJ-66	705	384	162	387	616.0	44.5	20	1 5/8	325	596
	150	RF	635	203	395	438	577.9	31.8	16	1 1/8	180	210
	300	RF	711	264	391	438	628.6	34.9	24	1 1/4	230	392
	600	RF/RJ-69	743	362	330	438	654.0	44.5	20	1 5/8	305	565
18 (450mm)	900	RF/RJ-70	787	451	244	438	685.8	50.8	20	1 7/8	365	859
	150	RF	699	219	438	487	635.0	31.8	20	1 1/8	190	284
	300	RF	775	292	438	487	685.8	34.9	24	1 1/4	240	497
	600	RF/RJ-73	813	368	432	487	723.9	44.5	24	1 5/8	325	744
20 (500mm)	900	RF/RJ-74	857	451	406	487	749.3	54.0	20	2	385	1045
	150	RF	813	222	537	579	749.3	35.0	20	1 1/4	205	371
	300	RF	914	318	524	579	812.8	41.3	24	1 1/2	265	777
	600	RF/RJ-77	940	438	510	579	838.2	50.8	24	1 7/8	365	1166
24 (600mm)	900	RF/RJ-78	1041	495	445	579	901.7	66.7	20	2 1/2	485	1826

* Where Ring Joint Facing shown in End Facing, Stud lengths based on Ring Joint flange connection.

† Weights are for valve only and exclude mating flanges and bolting. Weight will vary according to corrosion allowance specification.

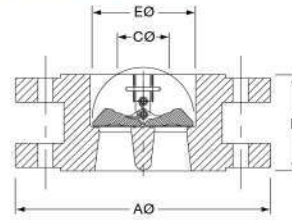
§ Number of studs is per flange, therefore, double the amount for valve installation purposes



Type BFR

Installation Dimensions

ASME B16.5



Type BFR (Small Diameter - Extended Body - Non API 594) ASME B16.5

Size inches	Pressure Rating ASME	End Facing	A mm	B mm	C mm	E mm	HOLE P.C.D. mm	HOLE DIA. mm	STUD SELECTION			† Valve Weight kg
									No. §	DIA. inches	*Length mm	
2 (50mm)	150	RF	152	114	0	57	120.7	19.1	4	5/8	105	7
	300	RF	165	114	0	57	127.0	19.1	8	5/8	110	9
3 (80mm)	150	RF	191	121	51	87	152.4	19.1	4	5/8	110	11
	300	RF	210	121	51	87	168.3	22.2	8	3/4	130	15
4 (100mm)	150	RF	229	121	89	113	190.5	19.1	8	5/8	110	16
	300	RF	254	121	89	113	200.0	22.2	8	3/4	135	18
6 (150mm)	150	RF	279	130	140	166	241.3	22.2	8	3/4	120	21
	300	RF	318	130	140	166	269.9	22.2	12	3/4	145	27
8 (200mm)	300	RF	381	152	171	207	330.2	25.4	12	7/8	160	48
10 (250mm)	300	RF	445	178	235	260	387.4	28.6	16	1	175	68

* Where Ring Joint Facing shown in End Facing, Stud lengths based on Ring Joint flange connection.

† Weights are for valve only and exclude mating flanges and bolting. Weight will vary according to corrosion allowance specification.

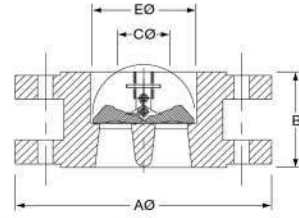
§ Number of studs is per flange, therefore, double the amount for valve installation purposes



Type BFR

Installation Dimensions

ASME B16.47 SERIES A (MSS SP44)



Size inches	Pressure Rating ASME	End Facing	A	B	C	E	HOLE P.C.D. mm	HOLE DIA. mm	STUD SELECTION			† Valve Weight kg
			mm	mm	mm	mm			No. §	DIA. inches	*Length mm	
26 (650mm)	150	RF	870	356	597	629	806.5	34.9	24	1 1/4	245	463
	300	RF	972	356	597	629	876.3	44.5	28	1 5/8	290	1238
	600	RF/RJ-93	1016	457	578	629	914.4	50.8	28	1 7/8	390	977
	900	RF/RJ-100	1086	533	559	629	952.5	73.0	20	2 3/4	510	1991
28 (700mm)	150	RF	927	381	648	680	863.6	35.0	28	1 1/4	255	1025
	300	RF	1035	381	648	680	939.8	44.5	28	1 5/8	305	1120
	600	RF/RJ-93	1073	483	629	680	965.2	54.0	28	2	405	1467
	900	RF/RJ-100	1168	572	610	680	1022.4	79.4	20	3	525	2426
30 (750mm)	150	RF	984	305	641	735	914.4	35.0	28	1 1/4	260	747
	300	RF	1092	368	641	735	997.0	47.6	28	1 3/4	325	1206
	600	RF/RJ-95	1130	505	584	735	1022.4	54.0	28	2	410	1908
	900	RF/RJ-102	1232	635	584	735	1085.9	79.4	20	3	540	3829
32 (800mm)	150	RF	1060	356	641	784	977.9	41.3	28	1 1/2	290	1032
	300	RF	1149	406	641	784	1054.1	50.8	28	1 7/8	345	1615
	600	RF/RJ-96	1194	533	610	784	1079.5	60.3	28	2 1/4	430	1977
	900	RF/RJ-103	1314	660	610	784	1155.7	85.7	20	3 1/4	570	3425
36 (900mm)	150	RF	1168	368	648	865	1085.9	41.3	32	1 1/2	305	1318
	300	RF	1270	483	648	865	1168.4	54.0	32	2	360	1957
	600	RF/RJ-98	1314	635	527	865	1193.8	60.3	28	2 1/2	455	2885
	900	RF/RJ-105	1461	718	356	865	1289.1	92.1	20	3 1/2	615	4354

* Where Ring Joint Facing shown in End Facing, Stud lengths based on Ring Joint flange connection.

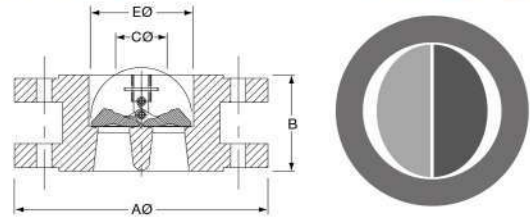
† Weights are for valve only and exclude mating flanges and bolting. Weight will vary according to corrosion allowance specification.

§ Number of studs is per flange, therefore, double the amount for valve installation purposes.



Type BFR

Installation Dimensions ASME B16.47 SERIES B (API 605)



Size inches	Pressure Rating ASME	End Facing	A	B	C	E	HOLE P.C.D. mm	HOLE DIA. mm	STUD SELECTION			† Valve Weight kg
			mm	mm	mm	mm			No. §	DIA. inches	*Length mm	
26 (650mm)	150	RF	786	356	597	629	744.5	22.2	36	3/4	165	906
	300	RF	867	356	597	629	803.3	34.9	32	1 1/4	290	1114
	600	RF/RJ-93	889	457	578	629	806.5	44.5	28	1 5/8	380	1276
	900	RF/RJ-100	1022	533	559	629	901.7	66.7	20	2 1/2	480	1792
28 (700mm)	150	RF	837	381	648	680	795.3	22.2	40	3/4	175	923
	300	RF	921	381	648	680	857.3	34.9	36	1 1/4	290	1008
	600	RF/RJ-94	953	483	629	680	863.6	47.6	28	1 3/4	395	1320
	900	RF/RJ-101	1105	572	610	680	971.6	73.0	20	2 3/4	515	2183
30 (750mm)	150	RF	887	305	641	735	846.1	22.2	44	3/4	175	714
	300	RF	991	368	641	735	920.8	38.1	36	1 3/8	305	1155
	600	RF/RJ-95	1022	505	584	735	927.1	50.8	28	1 7/8	420	1418
	900	RF/RJ-102	1181	635	584	735	1035.1	79.4	20	3	545	3446
32 (800mm)	150	RF	941	356	641	784	900.2	22.2	48	3/4	175	855
	300	RF	1054	406	641	784	977.9	41.3	32	1 1/2	330	**
	600	RF/RJ-96	1086	533	610	784	984.3	54.0	28	2	440	2642
	900	RF/RJ-103	1238	660	610	784	1092.2	79.4	20	3	555	2642
36 (900mm)	150	RF	1057	368	648	865	1009.7	25.4	44	7/8	195	1033
	300	RF	1172	483	648	865	1089.2	44.5	32	1 5/8	340	1794
	600	RF/RJ-98	1213	635	527	865	1104.9	60.3	28	2 1/4	480	2589
	900	RF/RJ-105	1346	718	356	865	1200.2	79.4	24	3	585	**

* Where Ring Joint Facing shown in End Facing, Stud lengths based on Ring Joint flange connection.

† Weights are for valve only and exclude mating flanges and bolting. Weight will vary according to corrosion allowance specification.

§ Number of studs is per flange, therefore, double the amount for valve installation purposes.

Solid Lug | Type BSR

Solid Lug Wafer design. Clamped between flanges with bolting passing through the body of the valve.

Retainerless

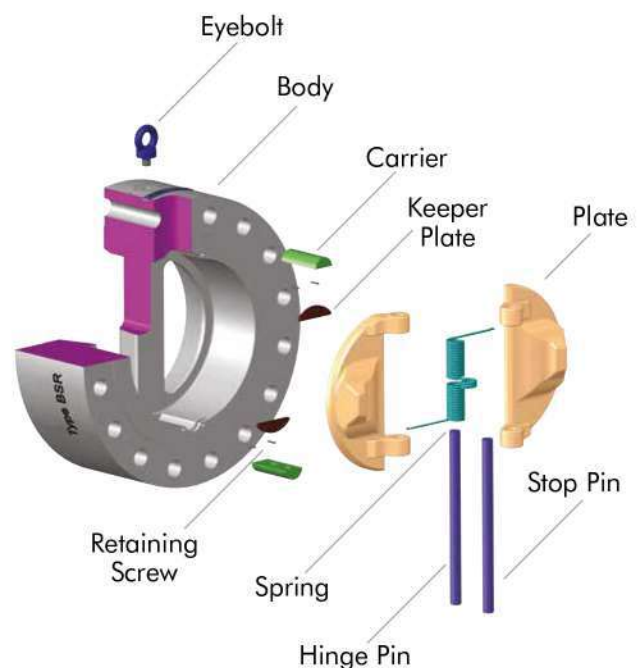
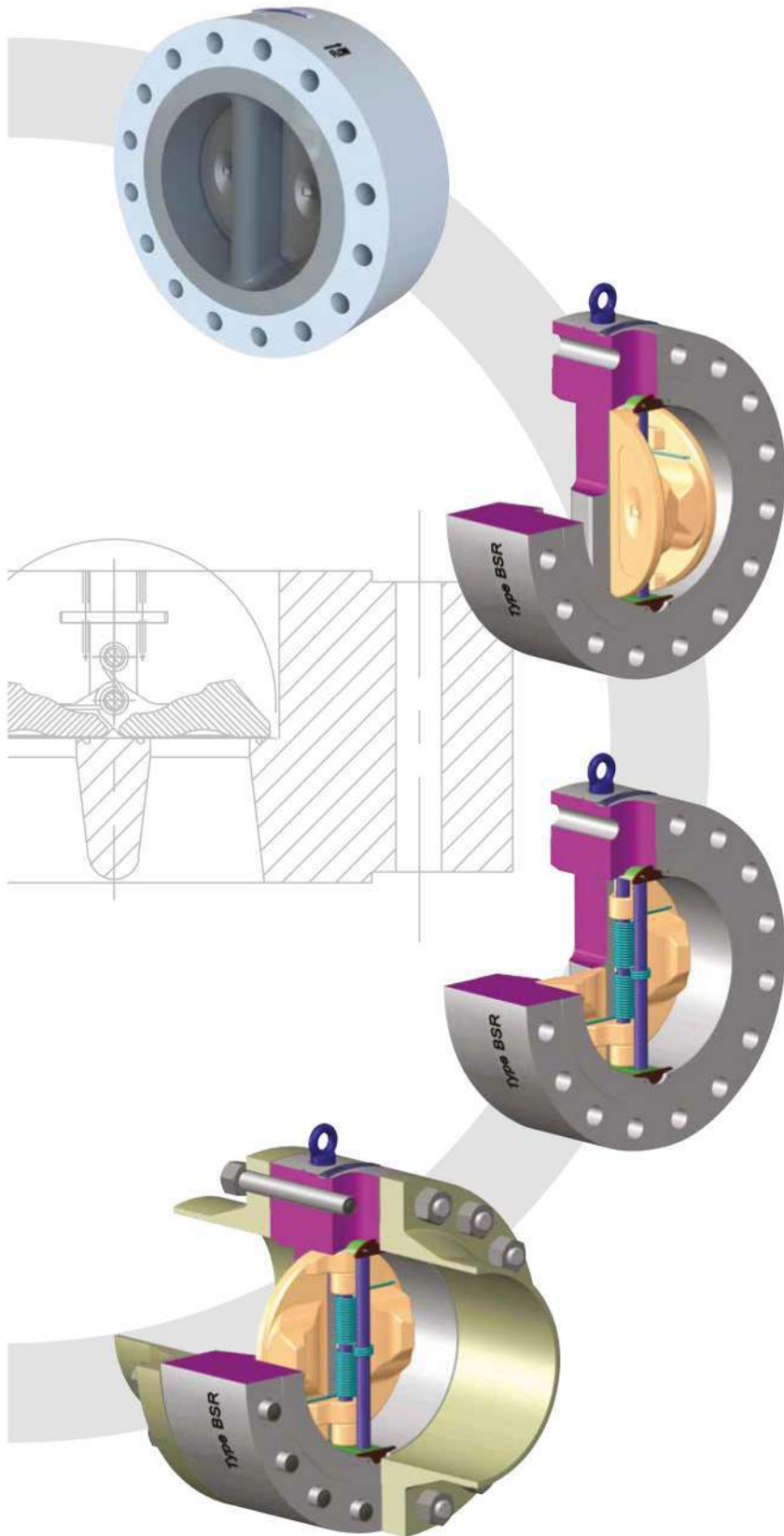
- Retainerless is standard in Novel Check Valves

API 594

- Designed in accordance with API 594 / API 6D
- Face-to-face dimensions to API 594

Unique Plate Design

- Pressure sensitive plate
- Improved flow efficiencies
- Total Life Cycle Costs reduced
- Superior metal-to-metal sealing
- High degree of shut-off

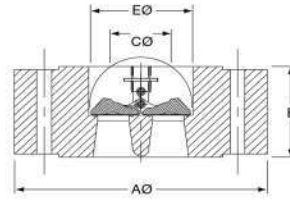




Type BSR

Installation Dimensions

ASME B16.5



Size inches	Pressure Rating ASME	End Facing	A	B	C	E	HOLE P.C.D. mm	HOLE DIA. mm	STUD SELECTION			† Valve Weight kg
			mm	mm	mm	mm			No. §	DIA. inches	*Length mm	
2 (50mm)	150	RF	152	60	0	57	120.7	19.1	4	5/8	165	5
	300	RF	165	60	0	57	127.0	19.1	8	5/8	170	7
	600	RF/RJ-23	165	60	0	57	127.0	19.1	8	5/8	195	7
	900	RF/RJ-24	216	70	0	57	165.1	25.4	8	7/8	240	14
	1500	RF/RJ-24	216	70	0	57	165.1	25.4	8	7/8	240	14
	2500	RF/RJ-26	235	70	0	57	171.4	28.6	8	1	275	18
3 (80mm)	150	RF	191	73	51	87	152.4	19.1	4	5/8	185	8
	300	RF	210	73	51	87	168.3	22.2	8	3/4	205	15
	600	RF	210	73	51	87	168.3	22.2	8	3/4	230	14
	900	RF/RJ-31	241	83	60	87	190.5	25.4	8	7/8	255	22
	1500	RF/RJ-35	267	83	60	87	203.2	31.8	8	1 1/8	285	26
	2500	RF/RJ-32	305	86	60	87	228.6	34.9	8	1 1/4	335	38
4 (100mm)	150	RF	229	73	89	113	190.5	19.1	8	5/8	185	13
	300	RF	254	73	89	113	200.0	22.2	8	3/4	210	20
	600	RF/RJ-37	273	79	89	113	215.9	25.4	8	7/8	255	27
	900	RF/RJ-37	292	102	83	113	235.0	31.8	8	1 1/8	300	39
	1500	RF/RJ-39	311	102	83	113	241.3	34.9	8	1 1/4	325	51
	2500	RF/RJ-38	356	105	83	113	273.0	41.3	8	1 1/2	395	69
6 (150mm)	150	RF	279	98	140	166	241.3	22.2	8	3/4	220	33
	300	RF	318	98	140	166	269.9	22.2	12	3/4	245	46
	600	RF/RJ-45	356	137	89	166	292.1	28.6	12	1	340	77
	900	RF/RJ-45	381	159	89	166	317.5	31.8	12	1 1/8	380	104
	1500	RF/RJ-46	394	159	89	166	317.5	38.1	12	1 3/8	455	119
	2500	RF/RJ-47	483	159	89	166	368.3	54.0	8	2	540	165
8 (200mm)	150	RF	343	127	171	207	298.5	22.2	8	3/4	255	64
	300	RF	381	127	171	207	330.2	25.4	12	7/8	290	82
	600	RF/RJ-49	419	165	168	207	349.2	31.8	12	1 1/8	385	129
	900	RF/RJ-49	470	206	130	207	393.7	38.1	12	1 3/8	455	208
	1500	RF/RJ-50	483	206	130	207	393.7	44.5	12	1 5/8	530	214
	2500	RF/RJ-51	552	206	143	207	438.2	54.0	12	2	630	277
10 (250mm)	150	RF	406	146	235	260	362.0	25.4	12	7/8	285	96
	300	RF	445	146	235	260	387.4	28.6	16	1	325	122
	600	RF/RJ-53	508	213	200	260	431.8	34.9	16	1 1/4	460	234
	900	RF/RJ-53	546	241	195	260	469.9	38.1	16	1 3/8	505	324
	1500	RF/RJ-54	584	248	184	260	482.6	50.8	12	1 7/8	620	378
	2500	RF/RJ-55	673	254	191	260	539.8	66.7	12	2 1/2	790	500
12 (300mm)	150	RF	483	181	260	300	431.8	25.4	12	7/8	325	181
	300	RF	521	181	260	300	450.8	31.8	16	1 1/8	375	214
	600	RF/RJ-57	559	229	232	300	489.0	34.9	20	1 1/4	480	300
	900	RF/RJ-57	610	292	206	300	533.4	38.1	20	1 3/8	575	502
	1500	RF/RJ-58	673	305	210	300	571.5	54.0	16	2	720	792
	2500	RF/RJ-60	762	305	225	300	619.1	73.0	12	2 3/4	895	790
14 (350mm)	150	RF	533	184	286	339	476.3	28.6	12	1	340	199
	300	RF	584	222	286	339	514.4	31.8	20	1 1/8	420	313
	600	RF/RJ-61	603	273	232	339	527.0	38.1	20	1 3/8	535	313
	900	RF/RJ-62	641	356	0	339	558.8	41.3	20	1 1/2	660	775
	1500	RF/RJ-63	749	356	0	339	635.0	60.3	16	2 1/4	810	905
	16 (400mm)	150	RF	597	191	332	387	539.8	28.6	16	1	350
300		RF	648	232	330	387	571.5	34.9	20	1 1/4	445	489
600		RF/RJ-65	686	305	330	387	603.2	41.3	20	1 1/2	590	660
900		RF/RJ-66	705	384	162	387	616.0	44.5	20	1 5/8	705	795
1500		RF/RJ-67	826	384	162	387	704.8	66.7	16	2 1/2	885	1170

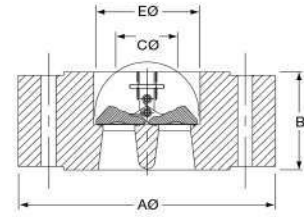
* Where Ring Joint Facing shown in End Facing, Stud lengths based on Ring Joint flange connection.

† Weights are for valve only and exclude mating flanges and bolting. Weight will vary according to corrosion allowance specification.



Type BSR

Installation Dimensions ASME B16.5



Size inches	Pressure Rating ASME	End Facing	A	B	C	E	HOLE P.C.D. mm	HOLE DIA. mm	STUD SELECTION			† Valve Weight kg
			mm	mm	mm	mm			No. §	DIA. inches	*Length mm	
18 (450mm)	150	RF	635	203	395	438	577.9	31.8	16	1 1/8	375	290
	300	RF	711	264	391	438	628.6	34.9	24	1 1/4	485	558
	600	RF/RJ-69	743	362	330	438	654.0	44.5	20	1 5/8	665	1078
	900	RF/RJ-70	787	451	244	438	685.8	50.8	20	1 7/8	815	1165
	1500	RF/RJ-71	914	468	184	438	774.7	73.0	16	2 3/4	1010	1665
20 (500mm)	150	RF	699	219	438	487	635.0	31.8	20	1 1/8	400	348
	300	RF	775	292	438	487	685.8	34.9	24	1 1/4	520	700
	600	RF/RJ-73	813	368	432	487	723.9	44.5	24	1 5/8	685	933
	900	RF/RJ-74	857	451	406	487	749.3	54.0	20	2	835	1960
	1500	RF/RJ-75	984	533	210	487	831.8	79.4	16	3	1125	2249
24 (600mm)	150	RF	813	222	537	579	749.3	34.9	20	1 1/4	420	396
	300	RF	914	318	524	579	812.8	41.3	24	1 1/2	570	1076
	600	RF/RJ-77	940	438	510	579	838.2	50.8	24	1 7/8	800	1554
	900	RF/RJ-78	1041	495	445	579	901.7	66.7	20	2 1/2	975	2351
	1500	RF/RJ-79	1168	559	391	579	990.6	92.1	16	3 1/2	1235	3230

* Where Ring Joint Facing shown in End Facing, Stud lengths based on Ring Joint flange connection.

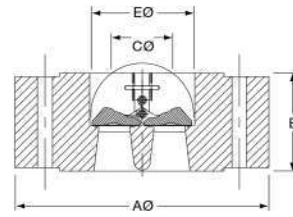
† Weights are for valve only and exclude mating flanges and bolting. Weight will vary according to corrosion allowance specification.



Type BSR

Installation Dimensions

ASME B16.47 SERIES A (MSS SP44)



Size inches	Pressure Rating ASME	End Facing	A	B	C	E	HOLE P.C.D. mm	HOLE DIA. mm	STUD SELECTION			† Valve Weight kg
			mm	mm	mm	mm			No. §	DIA. inches	*Length mm	
26 (650mm)	150	RF	870	356	597	629	806.5	34.9	24	1 1/4	605	1254
	300	RF	972	356	597	629	876.3	44.5	28	1 5/8	650	1542
	600	RF/RJ-93	1016	457	578	629	914.4	50.8	28	1 7/8	850	1766
	900	RF/RJ-100	1086	533	559	629	952.5	73.0	20	2 3/4	1045	2479
28 (700mm)	150	RF	927	381	648	680	863.6	34.9	28	1 1/4	635	1276
	300	RF	1035	381.6	48.6	80	939.8	44.52	8	1 5/8	685	1395
	600	RF/RJ-94	1073	483	629	680	965.2	54.0	28	2	890	1827
	900	RF/RJ-101	1168.5	72	610	680	1022.4	79.4	20	3	1100	3021
30 (750mm)	150	RF	984	305	641	735	914.4	34.9	28	1 1/4	565	1010
	300	RF	1092	368	641	735	997.0	47.6	28	1 3/4	685	1996
	600	RF/RJ-95	1130	505	584	735	1022.4	54.0	28	2	920	3045
	900	RF/RJ-102	1232	635	584	735	1085.9	79.4	20	3	1180	3835
32 (800mm)	150	RF	1060	356	641	784	977.9	41.3	28	1 1/2	645	2925
	300	RF	1149	406	641	784	1054.1	50.8	28	1 7/8	750	3428
	600	RF/RJ-96	1194	533	610	784	1079.5	60.3	28	2 1/4	970	3815
	900	RF/RJ-103	1314	660	610	784	1155.7	85.7	20	3 1/4	1235	4265
36 (900mm)	150	RF	1168	368	648	865	1085.9	41.3	32	1 1/2	675	1430
	300	RF	1270	483	648	865	1168.4	54.0	32	2	845	2661
	600	RF/RJ-98	1314	635	527	865	1193.8	66.7	28	2 1/2	1095	5896
	900	RF/RJ-105	1461	718	356	865	1289.1	92.1	20	3 1/2	1335	**

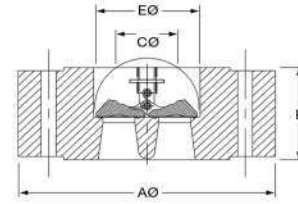
* Where Ring Joint Facing shown in End Facing, Stud lengths based on Ring Joint flange connection.

† Weights are for valve only and exclude mating flanges and bolting. Weight will vary according to corrosion allowance specification.



Type BSR

Installation Dimensions API 6A / ISO 10423



API 5000: Type BSR (RETAINERLESS)

Size inches	Pressure Rating ASME	End Facing	A mm	B mm	C mm	E mm	HOLE P.C.D. mm	HOLE DIA. mm	STUD SELECTION			† Valve Weight kg
									No. §	DIA. inches	*Length mm	
2 1/16	5000	R-24	215.9	70	0	53.1	165.1	25.5	8	7/8	225	8
2 9/16	5000	R-27	244.5	70	0	65.8	190.5	28.5	8	1	235	
3 1/8	5000	R-35	266.7	83	60	81.8	203.2	31.75	8	1 1/8	270	14
4 1/16	5000	R-39	311.2	102	83	108.7	241.3	35	8	1 1/4	305	28
5 1/8	5000	R-44	374.7	102	83	131.1	292.1	41.25	8	1 1/2	360	
7 1/16	5000	R-46	393.7	159	89	181.9	317.5	38	12	1 3/8	435	53
9	5000	R-50	482.6	206	130	229.4	393.7	44.5	12	1 5/8	510	117
11	5000	R-54	584.2	248	184	280.2	482.6	51	12	1 7/8	600	204

API 10000 & API 15000: Type BS (RETAINERED, i.e. with Retaining plugs)

Size inches	Pressure Rating ASME	End Facing	A mm	B mm	C mm	E mm	HOLE P.C.D. mm	HOLE DIA. mm	STUD SELECTION			† Valve Weight kg
									No. §	DIA. inches	*Length mm	
2 1/16	10000	BX-152	200.0	70	0	53.1	158.8	22.2	8	3/4	205	
	15000	BX-152	222.3	95	0	53.1	174.6	25.4	8	7/8	250	
2 9/16	10000	BX-153	231.8	70	0	65.8	184.2	25.4	8	7/8	225	
	15000	BX-153	254.0	95	0	65.8	200.0	28.4	8	1	270	
3 1/16	10000	BX-154	269.9	86	60	78.5	215.9	28.6	8	1	260	
	15000	BX-154	287.3	111	60	78.5	230.2	31.8	8	1 1/8	305	
4 1/16	10000	BX-155	316.0	105	83	103.9	258.7	31.8	8	1 1/8	310	
	15000	BX-155	360.4	130	83	103.9	290.6	38.1	8	1 3/8	365	
5 1/8	10000	BX-169	357.1	105	83	131.1	300.0	31.8	12	1 1/8	330	
	15000	BX-169	419.1	130	83	131.1	342.9	41.1	12	1 1/2	425	
7 1/16	10000	BX-156	479.6	159	89	180.1	403.2	41.1	12	1 1/2	445	
	15000	BX-156	505.0	184	89	180.1	428.6	41.1	16	1 1/2	510	
9	10000	BX-157	552.5	206	143	229.4	476.3	41.1	16	1 1/2	540	
	15000	BX-157	647.7	231	143	229.4	552.5	50.8	16	1 7/8	635	
11	10000	BX-158	654.1	254	191	280.2	565.2	47.6	16	1 3/4	635	
	15000	BX-158	812.8	273	191	280.2	711.2	53.8	20	2	765	

* Where Ring Joint Facing shown in End Facing, Stud lengths based on Ring Joint flange connection.
 Testing procedures in accordance with API 6A / ISO 10423. Allowable leakage rate in accordance with API 598.

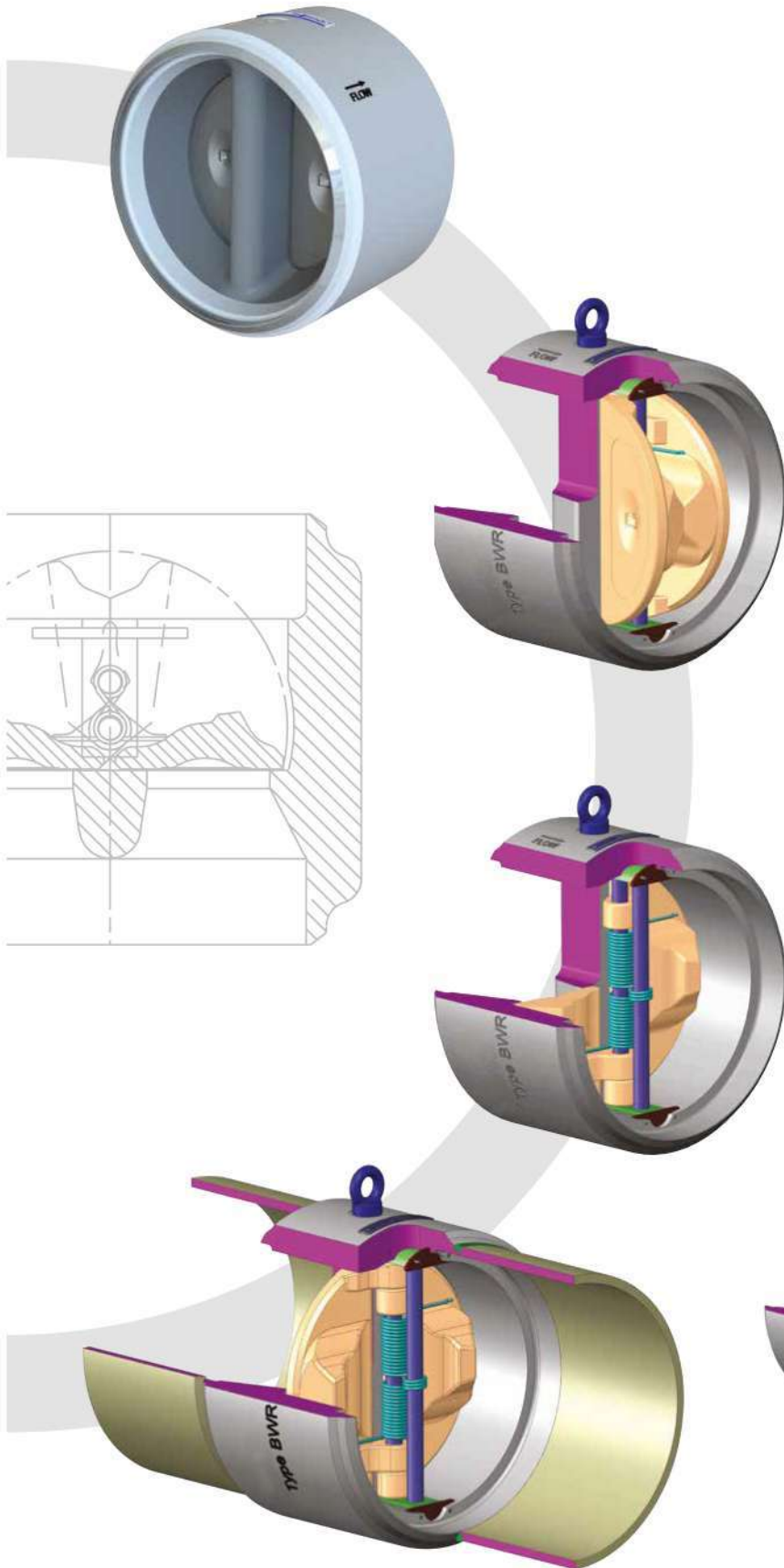
Types BR and BSR to API 6D / ISO 14313

The installation dimensions are the same as for ASME valves (refer Type BR and Type BSR)
 Sizes 2" - 12" 2500# 14"-1500#

Testing procedures in accordance with API 6D / ISO 10423. Allowable leakage rate in accordance with API 598.



Buttweld End | Type BWR



Buttweld end design for direct welding into a piping system.
Can be provided with transition and/or pup pieces.

Retainerless

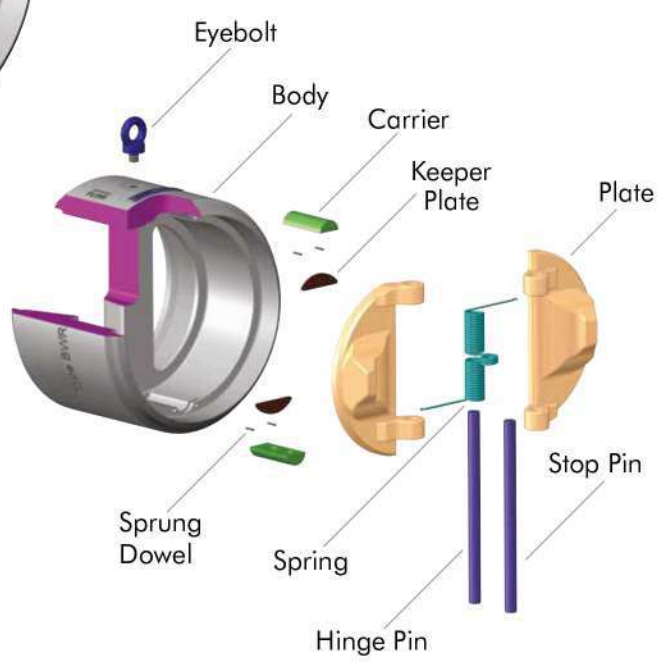
- Retainerless is standard in Novel Check Valves

API 594

- Designed in accordance with API 594 / API 6D
- Face-to-face dimensions to Novel Standards.

Unique Plate Design

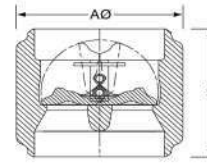
- Pressure sensitive plate
- Improved flow efficiencies
- Total Life Cycle Costs reduced
- Superior metal-to-metal sealing
- High degree of shut-off





Type BWR

Installation Dimensions



Size mm	Pressure Rating ASME	A mm	B mm	Δ Valve Weight kg
3 (80mm)	150	98.0	136.0	6.5
	300	98.0	136.0	6.5
4 (100mm)	150	129.5	120.7	6.9
	300	129.5	120.7	7.4
	600	135.6	120.7	8.5
	900	146.7	165.1	14
6 (150mm)	1500	155.1	165.1	16
	2500	169.8	165.1	19
	150	168.3	136.5	13
	300	168.3	136.5	13
8 (200mm)	600	171.9	136.5	15
	900	228.8	206.4	28
	1500	228.8	206.4	37
	2500	228.8	206.4	44
10 (250mm)	150	226.5	152.4	22
	300	226.5	152.4	25
	600	239.5	215.9	43
	900	252.2	292.1	69
	1500	284.2	292.1	92
12 (300mm)	2500	312.6	292.1	113
	150	270.6	187.3	43
	300	270.6	187.3	43
	600	289.4	262.0	78
	900	305.7	262.0	90
14 (350mm)	1500	346.5	346.1	159
	2500	367.3	346.1	179
	150	329.5	215.9	63
	300	329.5	215.9	69
	600	351.8	292.1	117
16 (400mm)	900	372.6	317.5	159
	1500	419.2	349.3	234
	2500	367.3	412.8	344
	150	380.0	260.4	102
	300	380.0	260.4	113
18 (450mm)	600	381.8	355.6	199
	900	381.8	355.6	231
	1500	429.6	355.6	264
	150	425.3	304.8	146
20 (500mm)	300	425.3	304.8	164
	600	441.0	400.1	263
	900	469.5	400.1	315
	1500	493.8	438.2	434

Size mm	Pressure Rating ASME	A mm	B mm	Δ Valve Weight kg
18 (450mm)	150	475.4	330.2	190
	300	475.4	330.2	215
	600	487.5	409.6	306
	900	519.5	447.7	423
20 (500mm)	1500	555.4	457.2	568
	150	526.7	400.1	273
	300	526.7	400.1	213
	600	539.9	495.3	461
24 (600mm)	900	578.0	546.1	637
	1500	621.7	546.1	855
	150	609.6	342.9	361
	300	609.6	419.1	458
28 (700mm)	600	635.4	546.1	722
	900	680.1	603.2	1020
	1500	738.5	660.4	1401
	150	711.2	374.7	435
30 (750mm)	300	727.1	419.1	572
	600	774.3	489.0	910
	900	822.1	584.2	1307
	150	762.0	387.4	596
32 (800mm)	300	768.4	431.8	715
	600	819.2	508.0	1098
	900	868.9	609.6	1568
	150	812.8	368.3	572
36 (900mm)	300	833.0	431.8	792
	600	887.3	533.4	1342
	900	940.2	635.0	1892
	150	914.4	419.1	921
36 (900mm)	300	914.4	482.6	1118
	600	944.8	552.5	1618
	900	1003.2	660.4	2292

Δ Weights are for valve only and exclude pup or transition pieces. Weight will vary according to corrosion allowance specification.

PIPE SCHEDULE

Customer must state pipe schedule at time of enquiry as this may necessitate transition pieces. The nominal bore of the valve will be determined by the pipe schedule selected by the customer and be in accordance with ASME B16.25



NOVEL
VALVES INDIA PVT. LTD.

Our Contact Details

• Unit – 1 •

Plot no. 29 B, CIDCO,
Sector - 1, Airoli,
Navi Mumbai - 400708

• Unit – 2 •

Plot No. R-461/1, TTC Industrial
Area, Rabale, Navi Mumbai -
400708, India

web: www.novelvalves.com

Call : 022-277-977-22/23 Email : sales@novelvalves.com / nimkar@novelvalves.com